

**WHITE DECORATIVE HOUSING**  
**PHOTOELECTRIC BEAM SENSOR**  
**PRO-10W : Outdoor 10m / Indoor 10m**



**SensorPro presents a new concept, PRO-10W, which offers more reliable protection and well-matched white color with any type of a bright architecture.**

**PRO-10W is designed for short-range indoor and outdoor applications. Windows, roll-up doors have been secured by magnetic contacts or glass break detectors so far. Now, PRO-10W protects a building's interior and exterior by detecting intruders before entry is attempted and can provide a deterrent with a strobe light and/or a sounder before the break-in occurs.**



## FEATURES

### Powerful Twin Beams with the BLC

The **Beam Loss Control** mechanism reduce false alarms caused by the diverged beams or reflected beams when using multiple photobeams for beam stacking applications.

### Light Reduction Filter

An improved **Light Reduction Filter** will maintain stable operation even in alternative light sources caused by sun-light around dawn and/or dusk, automobile headlights.

### Beam Alignment Converter

The **Beam Alignment Converter** provide fine angle adjustment for alignment. Pro-10W create highly accurate alignment with no need to waste installation time.

### White Decorative Housing

Allows the unit to harmonize with various types of a bright architecture such as residence, office and shop, warehouse.

### Against Frost & Dew

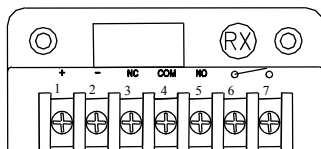
An anti-frost and convex visor design is incorporated to protect the detector from effect of frost & dew. The lapped & polished cover by super precision machine keep from "ice & dewdrop is formed on the cover".

## SPECIFICATIONS

Model	PRO-10W
Protection distance	Outdoor & indoor : 10m(40ft.)
Detection method	Twin synchronized pulsed beams
Beam characteristic	Pulsed infrared
Response time	50 ~ 500 mS
Supply voltage	10 ~ 24 V (Non-polarity)
LED	Tx : Green LED(Power), Rx : Green LED(GOOD) / Red LED(Alarm)
AGC voltage	Alarm:2.0V under, Ready:2.1~3.7V, Good:3.8V over
Current consumption	Rx : 24mA, Tx : 22mA (Max.)
Alarm output	Dry contact relay output 1C (COM, NC, NO) Reset : Interruption time + off-relay (Approx. 1 sec.)
Temperature	-25°C ~ 60°C
Tamper output	Dry contact, Micro SW (COM, NC)
Beam adjustment	Horizontal : 180°(±90°), Vertical : 20°(+10°)
Mounting position	For wall/pole, indoor or outdoor
Weight	Transmitter : 330g, Receiver : 340g
Option	Pole mount bracket (model no.PM11)

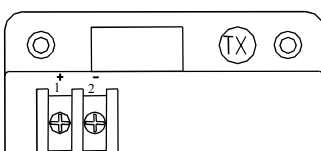
## TERMINALS

### Receiver



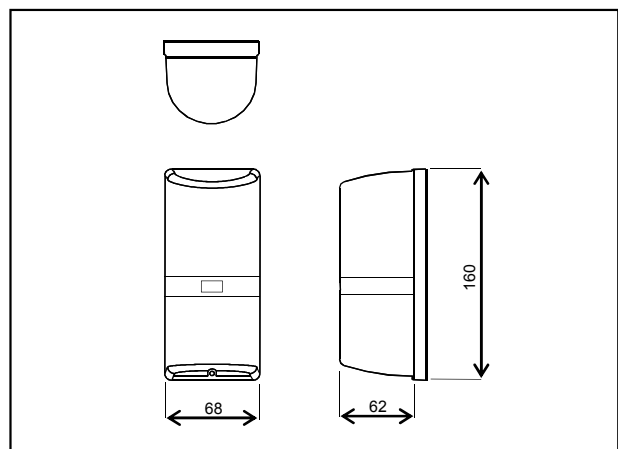
1. VCC : DC10~24V
2. GND
3. Normal Close
4. Common
5. Normal Open
6. Tamper
7. Tamper

### Transmitter



1. VCC : DC10~24V
2. GND

## DIMENSIONS



\*Note: This unit is designed to detect an intruder and active an alarm control panel. Being only a part of a complete system, we cannot assume responsibility for theft or damages, should it occur.